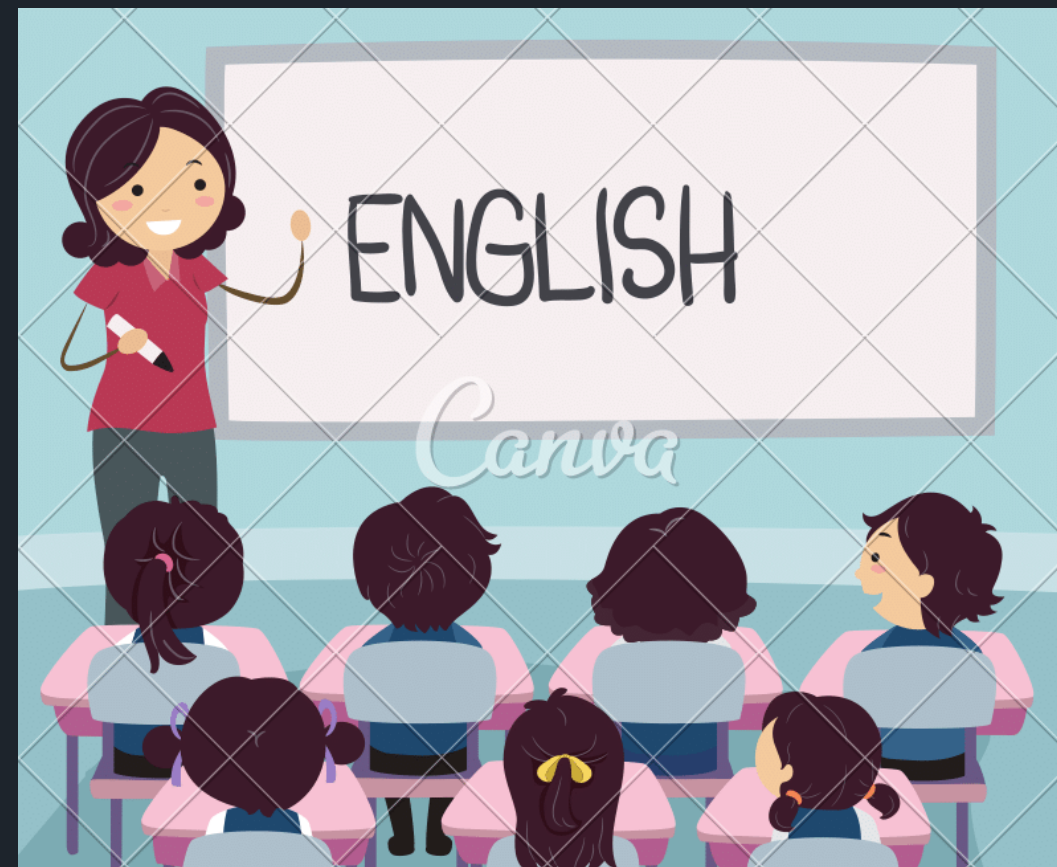




8TH GRADE ENGLISH CLASS

WEEK 31
FROM TUESDAY 16TH TO FRIDAY 20TH
OF NOVEMBER
MISS MARIA JOSÉ HIDALGO





OBJECTIVE OF THE CLASS

- OA9: USA LAS SIGUIENTES ESTRATEGIAS PARA APOYAR LA COMPRESION DE TEXTOS LEIDOS, TANTO EN FORMATO DIGITAL COMO IMPRESO.
- VOCABULARIO SOBRE PLANES FUTUROS

OBJETIVO ACTITUDINAL

- MANIFESTAR UNA ACTITUD POSITIVA FRENTE A SI MISMO Y SUS CAPACIDADES PARA APRENDER UN NUEVO IDIOMA.



Send this work by an email or whatsapp message
mariajose.hidalgo@colegio-mansodevelasco.cl
+56949492427

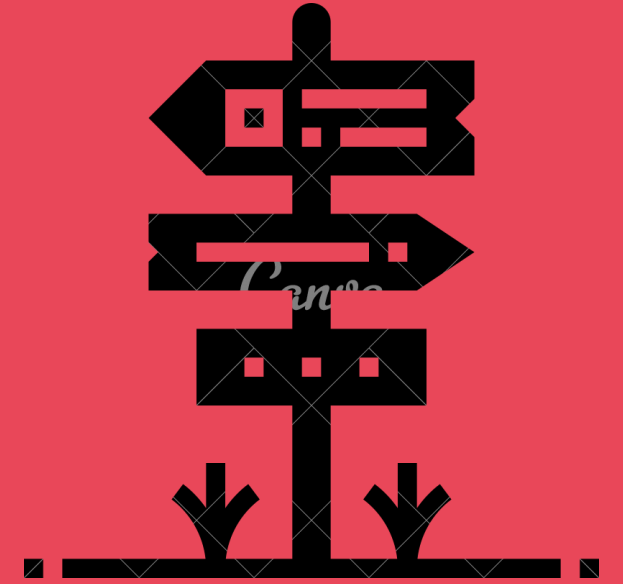




GUIDE WORK

THE STEPS OF OUR WORK

- 1) Match the picture with the correct definition.
- 2) Read some important information about future plans.
- 3) Read some sentences and find the mistake.
- 4) Exit ticket in which you have to create sentences using "going to" for future plans.





Rules for the class



REMEMBER TO:

- Turn off your microphones during class
- Do not eat during class.
- Look for a comfortable place to listen the class
- The chat is only for questions and comments related to the class



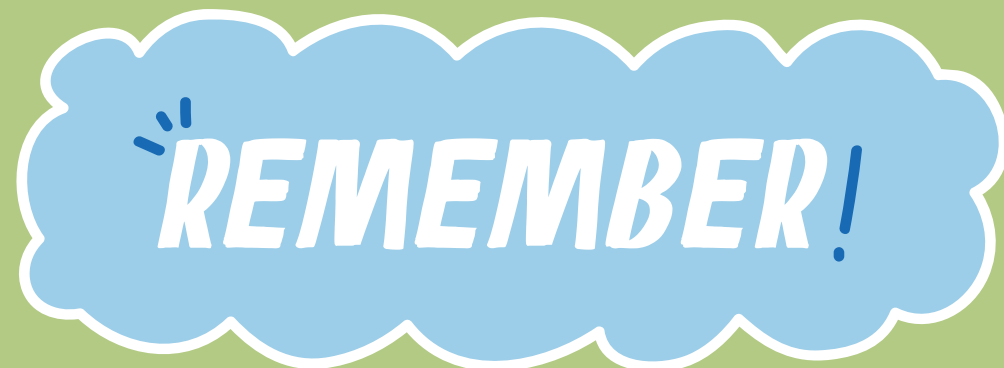


ENTRANCE TICKET CREATE SENTENCES USING REGULAR AND IRREGULAR VERBS



Regular Verbs



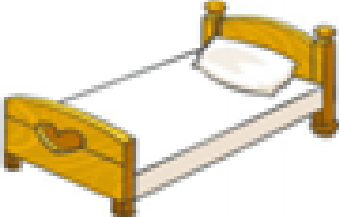


Irregular Verbs





READ SOME PLANS FOR A HOLIDAY. MATCH THEM TO THE PICTURES



				
	a			



We can use *going to* to talk about our future plans.

I'm... You're... He's/She's/It's... We're... They're... + going to + verb

- a. I'm going to see my grandparents
- b. I'm going to go to the beach.
- c. I'm going to do some homework.
- d. I'm going to eat lots of ice cream.
- e. I'm going to sleep a lot!



IMPORTANT INFORMATION

WHEN YOU HAVE TO USE "IS" OR "ARE"

I-----**am**

He, she, it----- **is**

You, we, they----- **are**



SINGULAR: IS

PLURAL: ARE



FIND THE MISTAKE IN EACH SENTENCE

REMEMBER THE CORRECT USE FOR "GOING TO"

EXAMPLE: I'm going **go to** Hong Kong. **to go**

1) She are going to be a doctor when she grows up. _____

2) He going to watch TV tonight. _____

3) They're going to having pizza for dinner. _____

4) I'm go to visit my grandparents at the weekend. _____



8TH GRADE EXIT TICKET

CREATE SENTENCES USING "GOING TO" EXPRESSION

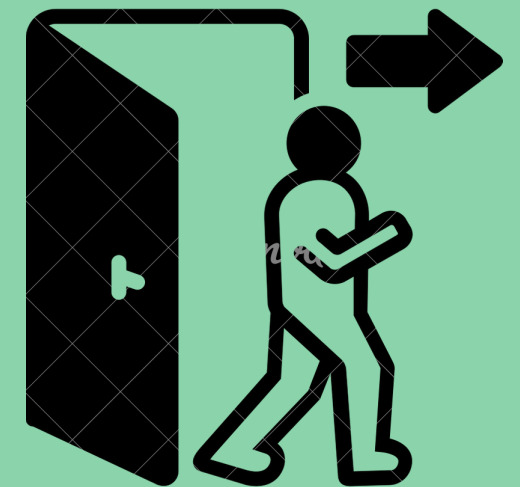


EXAMPLE: **do/tonight:** What are you going to **do tonight?**

1) eat/tonight: _____

2) do/tomorrow: _____

3) do/next weekend: _____





THANK YOU!

SEE YOU NEXT WEEK!

