



# 7th Grade English Class

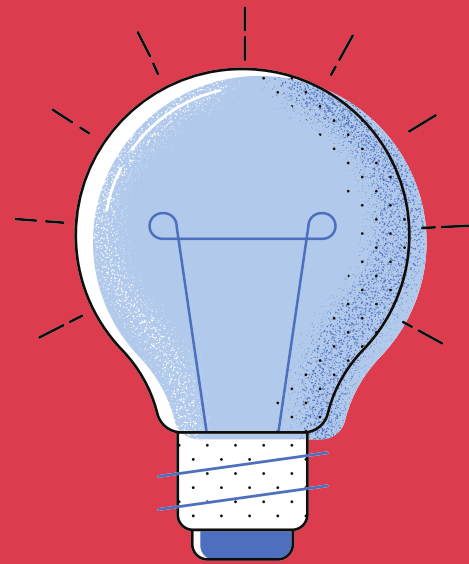
**Week 31**

From Monday 16th to Friday 19th of  
November.

Miss María José Hidalgo C.

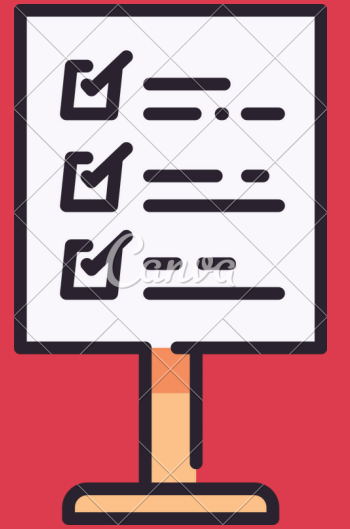


# Class Objectives and Rules



**Objective:** Utilizar vocabulario sobre Unidad "Green issues".

Identificar vocabulario sobre el cuidado del planeta.

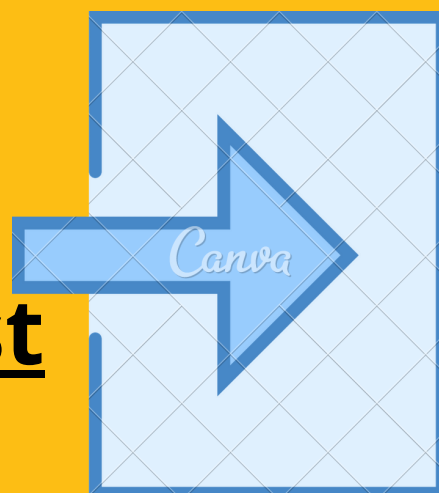


- Turn off the microphones during the class.
- Do not eat in class.
- Look for a comfortable place to listen the class
- The chat is only to make questions and doubts related to the class.





# Entrance ticket



**1) Create 3 questions using the Past Simple.**

a) \_\_\_\_\_

b) \_\_\_\_\_

c) \_\_\_\_\_

**Write 3 regular and 3 Irregular verbs**

Irregular: \_\_\_\_\_

Irregular: \_\_\_\_\_

Irregular: \_\_\_\_\_

Regular: \_\_\_\_\_

Regular: \_\_\_\_\_

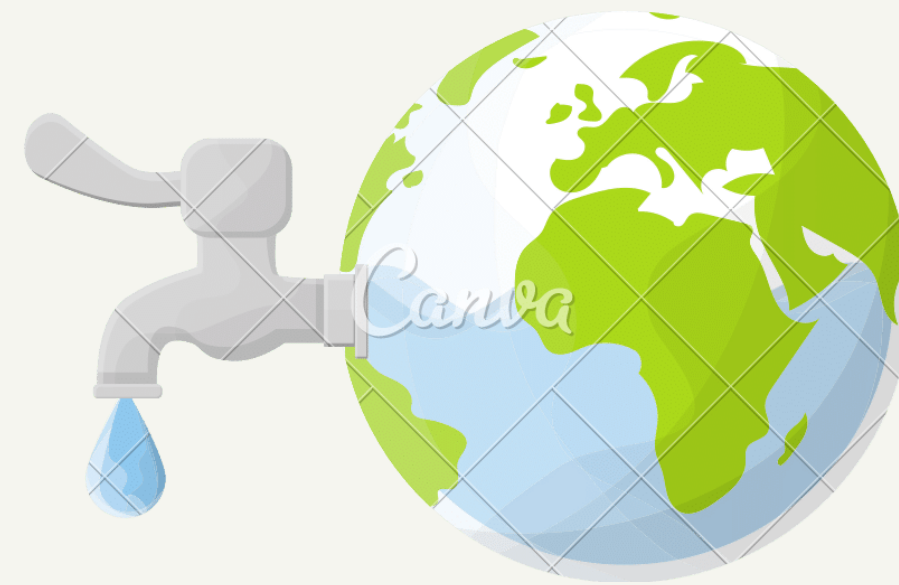
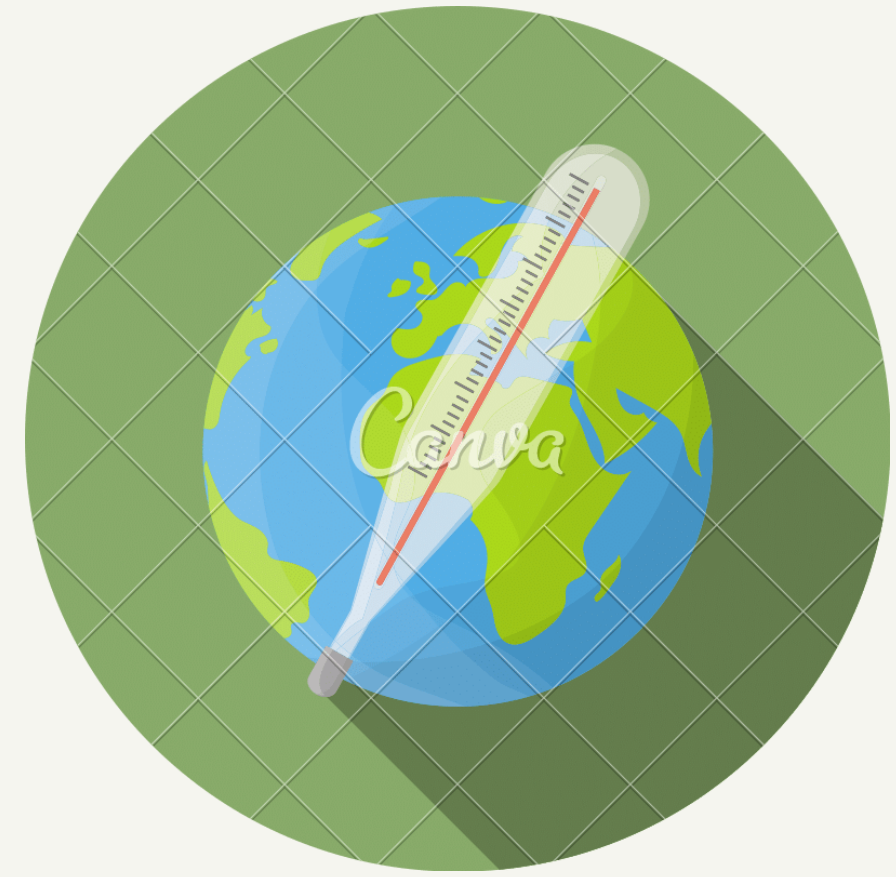
Regular: \_\_\_\_\_





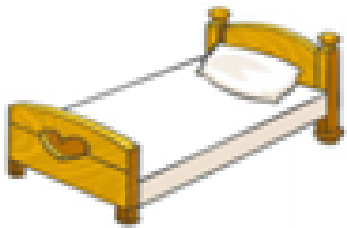




# Today's lesson

Using the vocabulary about the Unit  
"Green issues"



# Match the sentences with the pictures

				
	a			



**We can use *going to* to talk about our future plans.**  
I'm... You're... He's/She's/It's... We're... They're... + going to + verb

- a. I'm going to see my grandparents
- b. I'm going to go to the beach.
- c. I'm going to do some homework.
- d. I'm going to eat lots of ice cream.
- e. I'm going to sleep a lot.



# Remember

I ----- am  
He, she, it ----- is  
You, we, they----- are

**IS-----SINGULAR**  
**ARE----- PLURAL**

**DON'T FORGET**





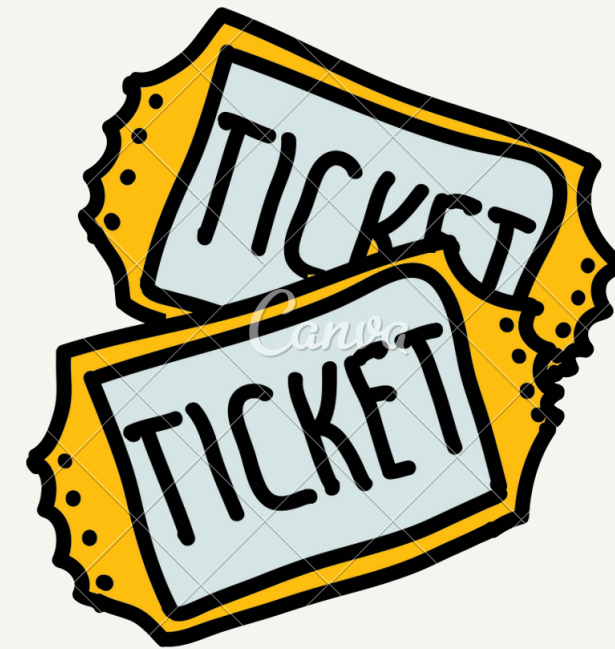
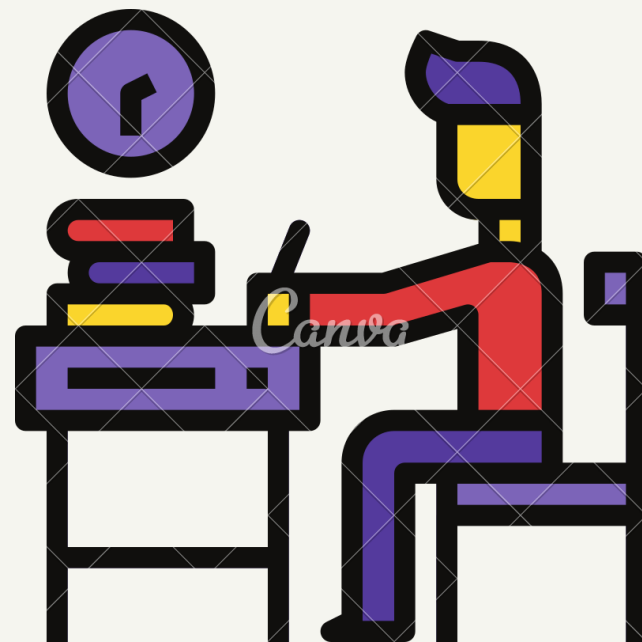
# Find the mistake, underline it and write it correctly

- a. I'm going go to Hong Kong. \_\_\_\_to go\_\_\_\_\_
- b. She are going to be a doctor when she grows up. \_\_\_\_\_
- c. He going to watch TV tonight. \_\_\_\_\_
- d. They're going to having pizza for dinner. \_\_\_\_\_



# EXIT TICKET

It's time to do the homework



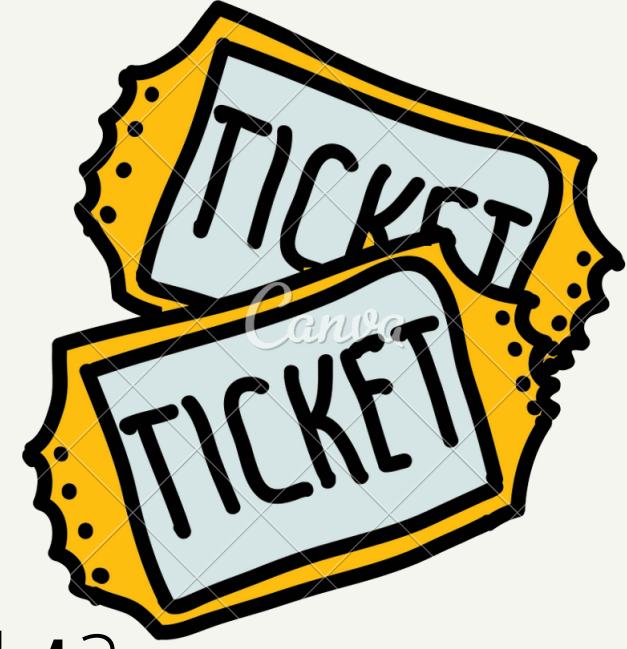




# EXIT TICKET



Write questions to ask a friend



EXAMPLE: **do/tonight:** What are you going to **do tonight?**

1) eat/tonight: \_\_\_\_\_

2) do/tomorrow: \_\_\_\_\_

3) do/next weekend: \_\_\_\_\_

4) be/when you grow up: \_\_\_\_\_



*Thank  
you!*

